

# LTB688-B

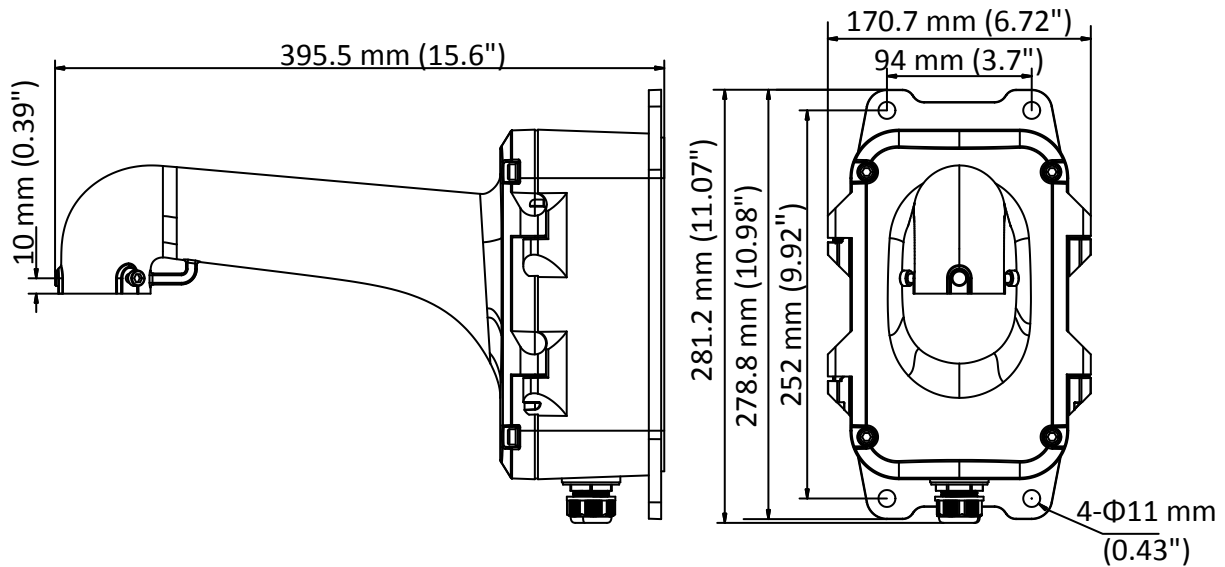
## Wall Mount for Speed Dome

### Feature

- Wall mount with the junction box
- Aluminum alloy with surface spray treatment
- Bottom outlet, and back outlet
- The hook for safety rope facilitates speed dome's installation



### Dimension



### Parameter

Model	LTB688-B
Parameters	Wall Mount for Speed Dome
Appearance	Platinum Gray
Material	Aluminum Alloy
Dimension	395.5 mm × 281.2 mm × 170.7 mm (15.6" × 11.07" × 6.72")
Weight	2.15 kg (4.74 lb.)

### Note

- The mount should be installed on the flat surface.
- Waterproof rubber is necessary for the outdoor application.
- The wall must be capable of supporting at least 3 times as much as the total weight of the speed dome, and the mount.
- The mount's maximum load capacity is 10 kg (22 lb.).